




GAN Electronic 600W / 750W SE EU

1. Introduction

Thank you for purchasing the GAN Electronic 600 W / 750 W SE EU. This manual describes the mounting and installing of the product and also describes how to use the product. Mounting and installing of the fixture may only be executed by certified service personnel. Please read and understand this manual completely before using the product. Only use the product as specified in this manual.

1.1. Used symbols

-  **Warning!** A warning indicates severe damage to the user and/or product may occur when a procedure is not carried out as described.
-  **Caution!** A caution sign indicates problems may occur if a procedure is not carried out as described. It may also serve as a reminder to the user.
-  **Note:** A note gives additional information, e.g. for a procedure.



This symbol indicates that the reflector and lamp can reach very high temperatures (>85 °Celsius). Observe a cool down period before performing maintenance.



With this symbol Gavita declares that this product complies with legal European requirements.



The symbol on the material, accessories or packaging indicates that this product may not be discarded as household waste. Dispose of the equipment through a recycling centre that handles electronics and electrical appliances within the EU and in other European countries which use separate collection systems for used electronics and electrical appliances. By disposing of the equipment in the proper way, you will be helping to prevent possible risks to the environment and public health, which might otherwise be caused by improper handling of the discarded equipment. Recycling of materials contributes to the conservation of natural resources. Therefore, please do not dispose of your old electronics and electrical appliances via household waste.



This symbol indicates the minimum distance (B) between the fixture (A) and the lit surface.

2. Product description

The GAN Electronic 600 W / 750 W SE EU is an electronic horticultural fixture. It can be used to drive a single ended high frequency type (electronic) high pressure sodium lamp:

600 W SE EU:

Recommended lamps:

- Gavita Pro 600 W Electronic HPS E40.
- Philips Master GreenPower Plus 600 W EL.

750 W SE EU:

Recommended lamps:

- Gavita Pro 750W Electronic HPS.

The GAN Electronic 600 W / 750 W SE EU is intended to be used in greenhouses or in climate rooms.

In this manual, the GAN Electronic 600 W / 750 W SE EU will be referred to as: "the fixture".

3. Product information and specifications

3.1. General product information

Product name	GAN Electronic 600 W EU		GAN Electronic 750 W 400 V SE EU
Manufacturer	Gavita International bv		Gavita International bv
Version	230-240 V	400 V	400 V
EAN Code	8718692230019	8718692230101	8718692230118
Part number	14.65.19.04.06	14.65.19.04.01	14.74.19.04.03
Plug type	Wieland RST20i3	Wieland RST20i3	Wieland RST20i3

3.2. Technical specifications

Product name	GAN Electronic 600 W EU		GAN Electronic 750 W 400 V SE EU
Input voltage +/-10%	230 V / 240 V	400 V	400 V
Input wattage +/-3%	634 W	634 W	780 W
Apparent power +/-3%	647 VA	647 VA	796 VA
Input current at 100%	2,82 A	1,56 A	1,98 A
Max. current	3,15 A	1,6 A	2,1 A
Inrush current	< 14 A / 1,8 mSec	< 30 A / 1,6 mSec	< 40 A / 1.0 mSec
Power factor	> 0,98		> 0,98
Product weight	3,5 kg		3,53 kg
Dimensions (LxWxH)	56,5 x 24,5 x 19,5 cm (height excl. mounting hooks)		
Temperature case	< 70 °Celsius		
Temperature ambient	0 ~ 35 °Celsius		
Relative humidity	< 70% (not condensating)		
Total Harmonic Distortion	< 10%		
Frequency	50-60 Hz		
Certification	CE LDV		
Insulation	Class 1 - requires an earth connection / IP20		
Power inlet	Wieland RST20i3 connector		
Ignition voltage	3,5 kV		
Earth leakage current	≤ 1 mA		

3.3. Compatible products and accessories

	Product name	Gavita part number
Replacement reflector	Gavita HR96 SE	31.46.02.10
Compatible lamps	Gavita Pro 600 W Electronic HPS E40	26.64.40.02
	Philips Master GreenPower Plus 600 W EL	21.64.16.21
	Gavita Pro 750 W Electronic HPS	26.74.19.11
Compatible power cord	Wieland RST20i3 0,6 m mains cable	63.70.11.51

3.4. Environment

The product is intended to be used in greenhouses and climate rooms. The product can be used in damp environments. The product may not be used in wet environments or outdoors. The lamps function optimal when the ambient temperature is between 20 ~ 30 °Celsius.

3.5. Legal

CE LVD approval according to: EN 60598-1: 2008 + A11: 2009.
CE EMC approval according to: EN 55015 (2013).



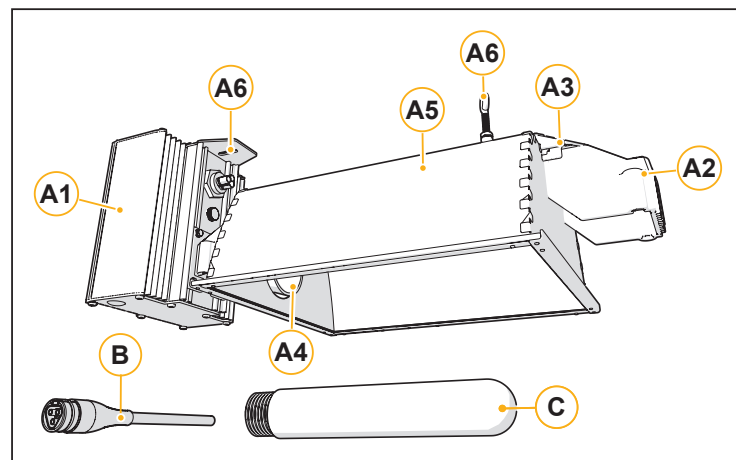
4. Safety recommendations and warnings

⚠ Warning! Carefully read the warnings below before using or working with the product!

- Always adhere to the local rules and regulations when installing or using the fixture.
- Do not open or disassemble the fixture, it contains no servicable parts inside. Opening the fixture can be dangerous and will void the warranty.
- This product may cause interference to radio equipment and should not be installed near maritime safety communications equipment or other critical navigation or communication equipment operating between 0.45 - 30 MHz.
- Do not use the fixture when either its lamp or its power cord are damaged. Replace the power cord only with original certified cords. Replace the lamp only with lamps specified by Gavita (see paragraph 3.3).
- The use of other lamps may damage the product and lamp and will void the warranty.
- Modifications to the cords can lead to unwanted electromagnetic effects, which makes the product not comply with legal requirements.
- Do not expose the fixture to:
 - condensing humidity, heavy mist, fog or direct spray;
 - (ambient) temperatures outside the specified range;
 - dust and contamination;
 - direct sunlight during use or HID light that could heat up the ballast.
- Always disconnect the fixture from mains before performing any maintenance.
- Always allow for a cool down period of at least 30 minutes before touching the lamp or reflector. Touching the lamp or the reflector when the lamp is lit or immediately afterwards will result in severe burns!
- Never touch the lamp with bare hands as this will cause damage to the lamp.
- Do not use the fixture near flammable, explosive or reactive substances. The lamp and the reflector of the fixture reach temperatures of >85 °Celsius.
- Do not use sulfur vaporizers or water misters. Sulfur and calcium deposits on your reflector will decrease its efficiency.
- The installation and use of the fixture is the responsibility of the end user. Incorrect use or installation can lead to failure and damage to the fixture. Damage to the fixture and electronic circuitry as a result of incorrect installation and use revokes the warranty.

5. Contents (1)

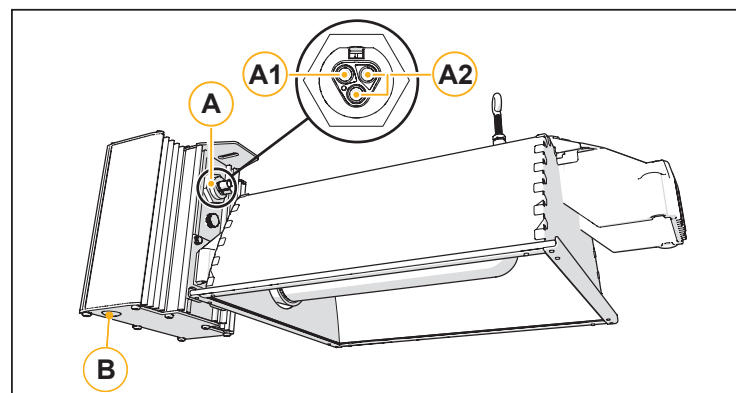
- A.** GAN Electronic 600 W / 750 W SE EU
1. Electronic ballast
 2. Lamp bracket
 3. Lever to unlatch reflector
 4. Lamp socket
 5. Reflector Gavita HR96 SE
 6. Mounting points
- B.** Wieland RST20i3 female connector with cable (3 x 1,5 mm² STL-UC DCa)*
*Could be delivered seperately
- C.** Gavita Pro 600 W Electronic HPS E40 lamp / Philips Master GreenPower Plus 600 W EL lamp / Gavita Pro 750W Electronic HPS lamp



1.

6. Controls, connections and indications (2)

- A.** Wieland RST20i3 male connector
1. Ground connection
 2. 230 / 240 V: Phase / neutral connections
 - 400 V: Phase / Phase connections
- B.** Status LED



2.

7. Installation

- ⚠ **Warning!** Mounting and installing of the fixture may only be executed by certified service personnel, in accordance with the applicable local laws and regulations.
- ⚠ **Warning!** The fitter is responsible for correct and safe installation.
- ⚠ **Warning!** Ensure the local cabling can support the voltage and current requirements of the fixture.
- ⚠ **Warning!** Avoid coiled cords and keep mains leads separated. This prevents electromagnetic interference.
- ⚠ **Warning!** Do not connect or disconnect the Wieland RST20i3 plug under load.

7.1. Installation preparations

- Switch off mains power.
- Read the Gavita light distribution plan.
- If not done already, install the lamp in the fixture (see paragraph 10.2).
- If not done already, screw the mounting point into the fixture (3).

7.2. Installing the fixture

- Mount the suspension bracket* according to the light distribution plan.
- Hang the fixture by its two mounting points onto the suspension bracket (4). The two mounting points are spaced 30 - 32 cm apart.
- ⚠ **Caution!** Always hang the fixture horizontally. Adjustments can be made by screwing the mounting point in or out.

To install other fixtures, repeat the steps at paragraph 7.1 and 7.2.

* The suspension bracket is delivery dependent, it may differ from the image.

7.3. Connecting the fixture to the mains

- ⚠ **Warning!** Make sure mains power is switched off.
- ⚠ **Warning!** Always install the lamp before connecting the fixture to the mains.
- ⚠ **Warning!** Ensure the cord is not coiled and does not touch any hot surfaces.
- ⚠ **Warning!** Connect the cables according to local rules, safety regulations and electrical code.
- ⚠ **Warning!** Ensure external switching gear can cope with the inrush current of the fixture (see paragraph 3.2). Always use a double pole contactor suitable for switching a capacitive load. Never use household timers to switch the fixture!

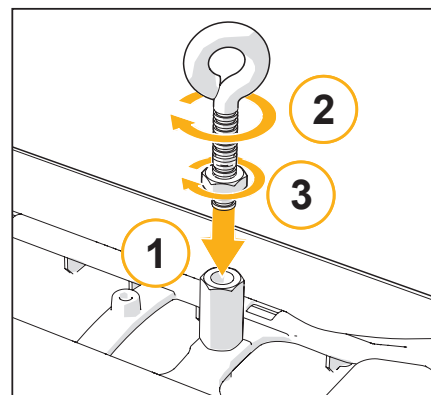
- Connect the wires of the female Wieland RST20i3 cable with the distribution cable of the electrical installation.

- ⚠ **Caution!** Use a suitable sealed joint to connect the cables.

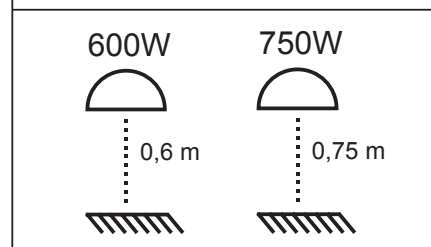
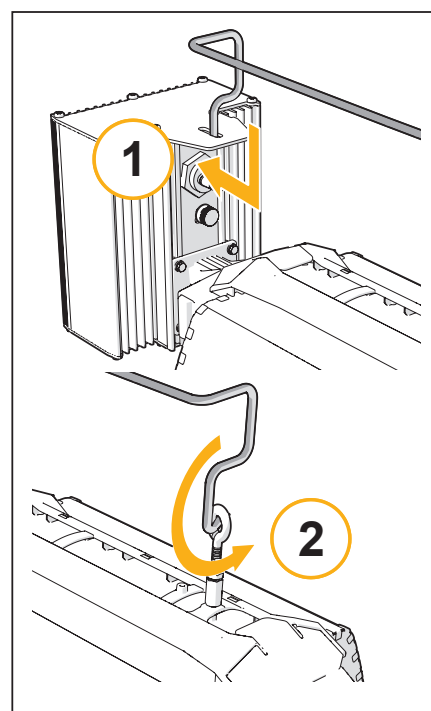
- Cable description:

Wire	230V	400V
Blue	Neutral (N)	Phase (N)
Brown	Phase (L)	Phase (L)
Green/yellow	Ground (⊕)	Ground (⊕)

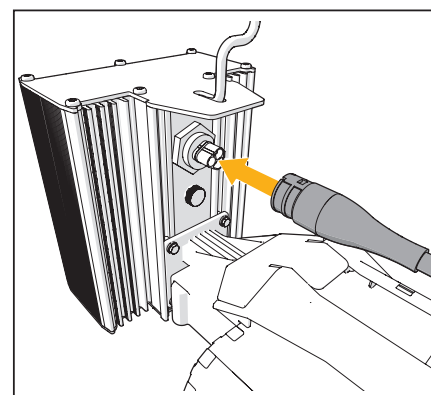
- ⚠ **Warning!** Make sure the wires are connected correctly to prevent short-circuit.
- Plug the Wieland RST20i3 female connection onto the Wieland RST20i3 male connection of the fixture (5).
- Switch on mains power.
- ⚠ **Warning!** Do not connect or disconnect the Wieland RST20i3 plug under load.



3.



4.



5.

8. Precautions when using the fixture

- ⚠ **Warning!** Never use the fixture without a lamp or reflector!
- ⚠ **Warning!** Always wait 20 - 30 minutes for the reflector to cool down!

9. Troubleshooting using the status LED

📌 **Note:** Only present at 600 W models

The status LED provides information on the condition of the lamp and electronic ballast. Consult table 1 to interpret the status LED. LED signals are represented by colored red dots.

9.1. Status indications

Status LED message	Status fixture	Description	Action/Solution
●●●●●●●●●●●●●●●●	No error	The lamp is working correctly	No action required.
●●●●●●●●●●●●●●●●	EOL timer expired	Maximum number of ignition attempts done without successful ignition or a driver is locked or has failed	Reset mains cycle manually. If the problem persists, it could be the end of the lamp's lifecycle. Replace the lamp
●●●●●●●●●●●●●●●●	Cycle error	Maximum number ignition attempts done (lamp stopped for unknown reason)	Check the lamp. Replace the lamp when damaged
●●●●●●●●●●●●●●●●	Low mains	Mains voltage too low	Check the voltage, mains cycle automatically resets
●●●●●●●●●●●●●●●●	Thermal overload	Maximum driver temperature exceeded	Reset mains cycle manually
●●●●●●●●●●●●●●●●	Lamp voltage out of range	Lamp voltage too low, lamp voltage too high or DC shift detected	This could be the end of the lamp's lifecycle. Replace the lamp
●●●●●●●●●●●●●●●●	High mains	Mains voltage too high and/or DC-bus voltage too high	Check the voltage, mains cycle automatically resets
●●●●●●●●●●●●●●●●	Ignition busy	Ballast is trying to ignite the lamp	No action required.

Table 1

Legend

LED message	Time (approx.)
●	256 ms.
●	
●●	512 ms.
●●	

10. Inspection, maintenance and repair

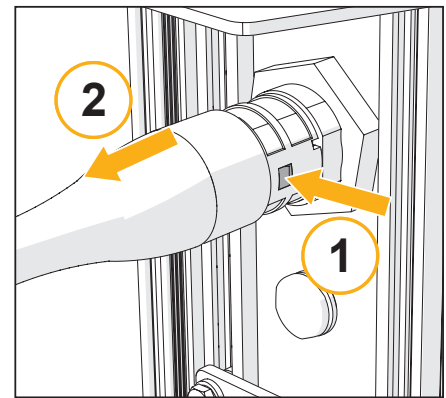
- ⚠ **Warning!** Disconnect the product from mains before performing any maintenance or repairs.
 - ⚠ **Warning!** Do not connect or disconnect the Wieland RST20i3 plug under load.
 - ⚠ **Warning!** Do not open or disassemble the fixture, it contains no servicable parts inside. Opening the fixture can be dangerous and will void the warranty.
 - ⚠ **Warning!** Always allow for a cool down period of at least 30 minutes before touching the lamp or reflector.
 - ⚠ **Caution!** Do not clean the fixture with detergents, abrasives or other aggressive substances.
 - ⚠ **Caution!** Do not touch the inside of the reflector.
 - ⚠ **Note:** Gavita recommends to measure the lamp and reflector for aging every year. Replace the lamp and/or reflector when they are aged.
- Regularly check the fixture for dust or dirt buildup. Clean if necessary. Contamination may cause overheating and decreased performance.
 - Clean the inside of the reflector with soapy water, but use demineralised water to rinse the reflector;
 - Clean the electronic ballast and the outside of the fixture using a dry or damp cloth.
 - Check the lamp monthly for discolorations or black markings. Always replace a damaged lamp.
 - ⚠ **Note:** Before initial use, the lamp could have black markings. This will disappear when the lamp runs on full power. If not, replace the lamp.
 - Regularly check the wiring of the product to ensure it is undamaged.

10.1. How to disconnect the Wieland RST20i3 plug

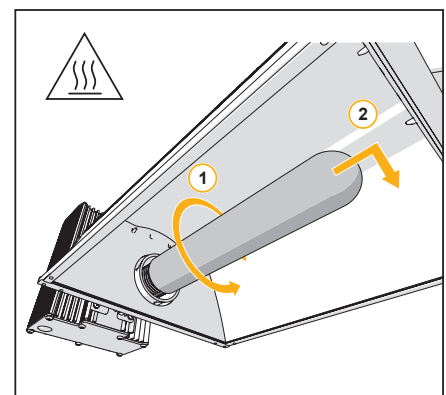
- ⚠ **Warning!** Do not connect or disconnect the Wieland RST20i3 plug under load.
- Switch off mains power.
- Press the pin on the Wieland RST20i3 male connection downwards and pull the Wieland RST20i3 female connection from the fixture (6).

10.2. Placement and replacement of the lamp

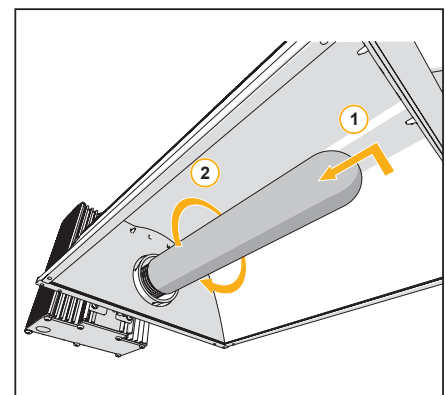
- ⚠ **Warning!** Always allow for a cool down period of at least 30 minutes before touching the lamp or reflector.
 - ⚠ **Caution!** Do not touch the lamp with bare hands as this will damage the lamp. Always use a fabric glove to handle the lamp.
 - ⚠ **Caution!** Only use lamps specified by Gavita (see paragraph 3.3).
 - ⚠ **Note:** Gavita recommends replacing the lamp after 10000 lighting hours.
 - ⚠ **Note:** Loosen the reflector (see paragraph 10.3) if there are any problems with removing or placing the lamp.
- Switch off mains power.
 - Use a fabric glove to carefully unscrew the lamp from the socket (7). Use a protective glove if the lamp is damaged.
 - Use a fabric glove to carefully screw a new lamp into the socket (8).
 - Switch on mains power.



6.



7.



8.

10.3. Placement and replacement of the reflector

⚠ Warning! Always allow for a cool down period of at least 30 minutes before touching the lamp or reflector.

📌 Note: Gavita recommends replacing the reflector after 10000 lighting hours. Depending on the environment and contamination levels the reflector will degrade. The vega/Miro™ aluminum can be cleaned (see chapter 10), but we recommend to change the reflector every two to four years. Also replace the lamp when replacing the reflector.

- Switch off mains power.
- Remove the lamp from the fixture (see paragraph 10.2).
- Support the reflector on the side of the reflector lever to prevent it from falling (8).
- Move the reflector lever up to retract the two pins holding the reflector in place (9).
- Remove the reflector (10).
- Place the new reflector. Ensure the reflector lever is in the opened position to allow the reflector to pass.
- Ensure the holes in the reflector are aligned with the pins in the fixture (11).
- Release the reflector lever so its two pins hold the reflector in place.
- Insert the lamp in the lamp holder (see paragraph 10.2).
- Switch on mains power.

11. Storage and disposal

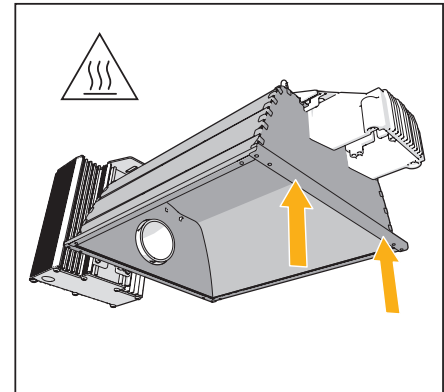
- Store the fixture in a dry and clean environment, with an ambient temperature of -20 ~ 85 °Celsius.
- The product must not be discarded as unsorted municipal waste, but must be collected separately for the purpose of treatment, recovery and environmentally sound disposal.

⚠ Caution! The lamps are chemical hazardous waste and must be delivered to the designated authorities.

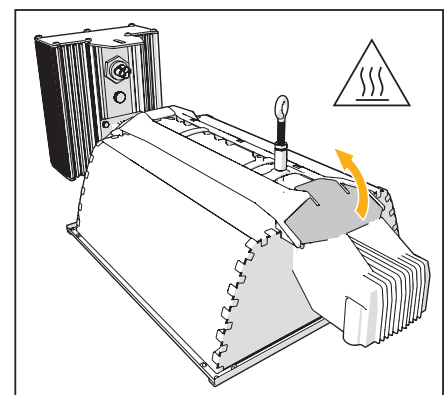
⚠ Caution! The lamp contains mercury.

12. Warranty

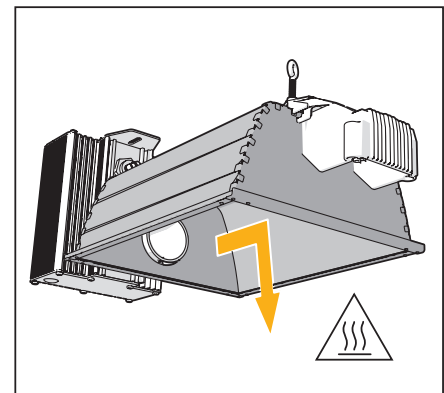
The warranty conditions are delivery dependent and can be found on a separate sheet.



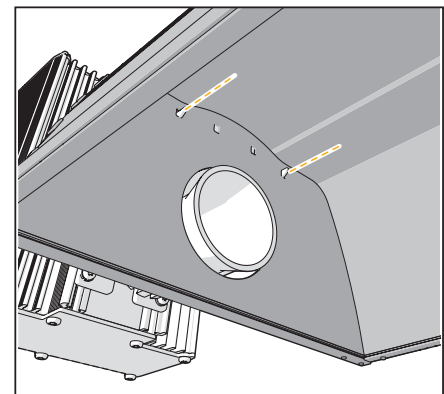
9.



10.



11.



12.



Manual: GAN Electronic 600 W / 750 W SE EU
Changes reserved - Version 17/21

Gavita International bv
Oosteinderweg 127
1432 AH Aalsmeer
The Netherlands

Tel: +31(0)297-380 450
Fax: +31(0)297-380 451
E: info@gavita.com
W: www.gavita.com